



**ROLEC**

# HOOK-UP CONNECTION UNITS

Electrical solutions for caravan and holiday parks



Designed  
& Stocked  
in the UK

# HOOK-UP CONNECTION UNITS

Electrical solutions for caravan and holiday parks

These cost effective and hard-wearing hook-up units are suitable for all caravan and holiday parks requirements. With its IP44 interlock sockets, these hook-up units ensure a safe and secure electrical connection.

Every unit is complete with an IP65 weatherproof polycarbonate enclosure, RCBO providing overload and 30mA fault current protection, which is accessible via a waterproof customer re-set flap, and built-in cable terminals.

MID compliant kWh metered units provide accurate billing information for park operators. Smartcard metered units allow visitors to pay upfront for their electricity consumption, encouraging them to be more energy conscious and reducing unnecessary electricity usage.



# Product features

- IP44 interlock sockets
- Available in 6A, 10A, 16A or 32A versions
- 1way, 2way, 3way & 4way versions
- 18th edition regulations compliant
- Optional MID compliant kWh & pre-paid smartcard metering
- Built-in overload and 30mA fault current protection
- IP65 weatherproof polycarbonate enclosure
- Built-in cable terminals
- Switchgear access flap
- Optional galvanised mounting post
- Easy to install & maintain
- IP Rated & UV stabilised
- Fire retardant
- Designed & stocked in the UK



## Solutions for all locations

Ideal solution for touring and static caravan sites, holiday parks and camping sites.



## IP44 interlock sockets

Safe and secure electrical connection, with units offering up to four sockets.



## Easy to install & maintain

Modular design with easy access to internal components allowing for maintenance and future upgrades.



## Accurate billing

Optional built-in MID-approved energy metering ensures accurate consumption reading.



## Significant cost savings

Smartcard metering options allow customers to pay upfront, reducing unnecessary electricity usage.



## Strong, durable & compliant

IP rated, UV stabilised, fire retardant and compliant with 18th edition wiring regulations.

# Specifications

## Product Overview:

Connection Type	Metering Type	Power Output	Fault Protection	Product Code	Enclosure Size		
1x IP44 interlock sockets	N/A	1x 16A	1x 16A 30mA RCBO	LSHU0010	Small		
		1x 10A*	1x 10A 30mA RCBO	LSHU0010-10A			
		1x 32A	1x 32A 30mA RCBO	LSHU0015			
	1x 45A kWh meter	1x 16A	1x 16A 30mA RCBO	LSHU0110		LSHU0110-10A	
		1x 10A*	1x 10A 30mA RCBO	LSHU0110-10A			
		1x 32A	1x 32A 30mA RCBO	LSHU0115			
	1x 63A Class 1 smartcard meter	1x 16A	1x 16A 30mA RCBO	LSHU0210		LSHU0215	Large
		1x 32A	1x 32A 30mA RCBO	LSHU0215			
	2x IP44 interlock sockets	N/A	2x 16A	2x 16A 30mA RCBOs		LSHU0020	Small
2x 6A**			2x 6A 30mA RCBOs	LSHU0020-6A			
2x 10A*			2x 10A 30mA RCBOs	LSHU0020-10A			
2x 32A			2x 32A 30mA RCBOs	LSHU0025			
2x 45A kWh meters		2x 16A	2x 16A 30mA RCBOs	LSHU0120	LSHU0120-10A		
		2x 10A*	2x 10A 30mA RCBOs	LSHU0120-10A			
		2x 32A	2x 32A 30mA RCBOs	LSHU0125			
3x IP44 interlock sockets	N/A	3x 16A	3x 16A 30mA RCBOs	LSHU0030	Large		
		3x 10A*	3x 10A 30mA RCBOs	LSHU0030-10A			
	3x 45A kWh meters	3x 16A	3x 16A 30mA RCBOs	LSHU0130		LSHU0130-10A	
		3x 10A*	3x 10A 30mA RCBOs	LSHU0130-10A			
4x IP44 interlock sockets	N/A	4x 16A	4x 16A 30mA RCBOs	LSHU0040	Large		
		4x 10A*	4x 10A 30mA RCBOs	LSHU0040-10A			
		4x 32A	4x 32A 30mA RCBOs	LSHU0045			
	4x 45A kWh meters	4x 16A	4x 16A 30mA RCBOs	LSHU0140		LSHU0140-10A	
		4x 10A*	4x 10A 30mA RCBOs	LSHU0140-10A			

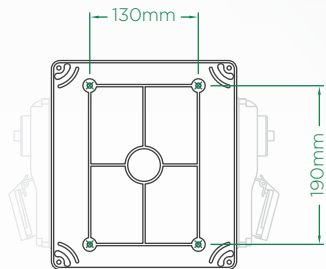
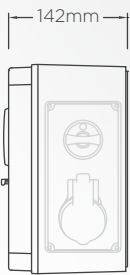
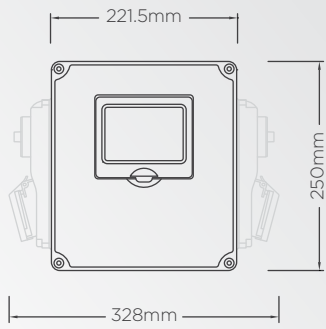
\*Supplied with 16A socket(s) restricted to a 10A output

\*\*Supplied with 16A socket(s) restricted to a 6A output

# Specifications

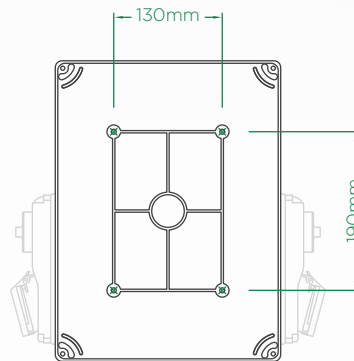
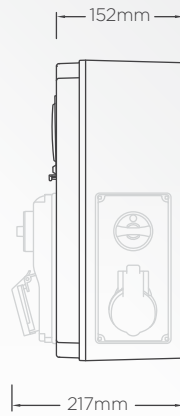
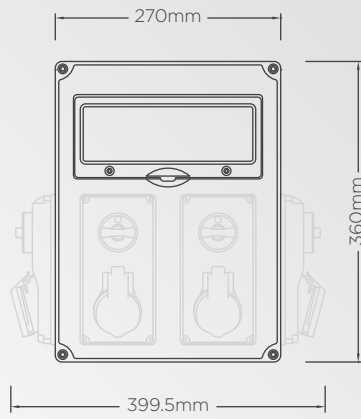
## Unit Dimensions:

Small Enclosure:



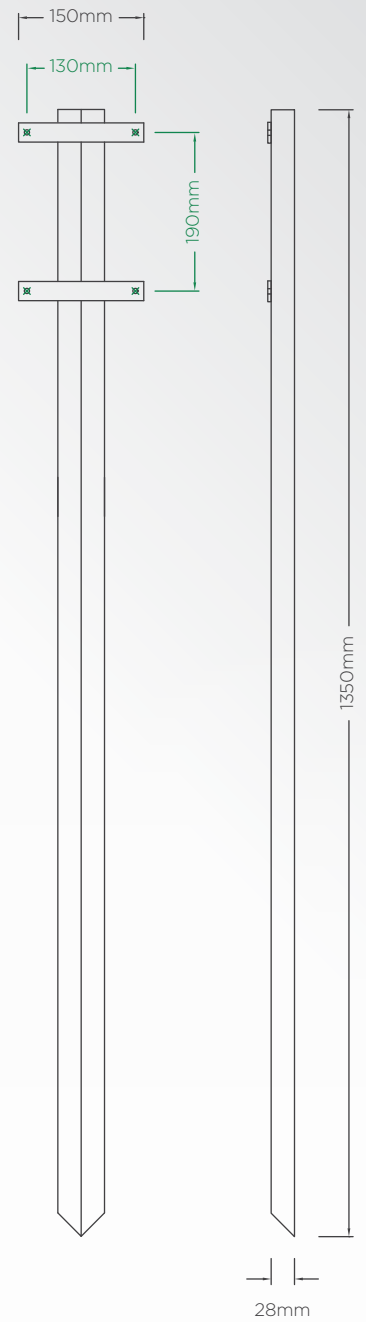
Fixing Points

Large Enclosure:



Fixing Points

Optional Mounting Post:



# Specifications

## Technical Data:

<b>Built-in Protection</b>	AC overload & fault current protection – 30mA Type A RCBO (per socket) (6A, 10A, 16A or 32A as appropriate)
<b>Input Voltage</b>	Single phase - 220 to 250V AC / 50Hz
<b>Cable Terminals</b>	Single Phase – 3x 50mm Tunnel terminals fitted as standard – 1P + N + E (other sizes available on request)
<b>Earthing</b>	Brass Earth plate & Earth terminals
<b>Energy Metering</b>	Integrated Class 1 MID compliant metering (model dependant)
<b>Dimensions</b>	Excluding sockets/connectors: <ul style="list-style-type: none"> <li>• Small Enclosure – 221.5mm x 250mm x 142mm (W x H x D)</li> <li>• Large Enclosure – 270mm x 360mm x 152mm (W x H x D)</li> </ul>
<b>Weight</b>	<ul style="list-style-type: none"> <li>• Small Enclosure – &lt; 3kg (model dependant)</li> <li>• Large Enclosure – &lt; 5.7kg (model dependant)</li> </ul>
<b>Environmental</b>	<ul style="list-style-type: none"> <li>• Ingress protection – Enclosure IP65, Socket IP54</li> <li>• Impact protection – IK08</li> <li>• Operating temperature – -25°C to +60°C</li> <li>• Operating humidity – 5% to 95%</li> </ul>
<b>Materials</b>	Enclosure – Polycarbonate (UV Stabilised)
<b>Unit Colour</b>	 Light grey
<b>Certifications &amp; Compliances</b>	<ul style="list-style-type: none"> <li>• Wiring Regulations (where applicable) – 18th Edition BS7671:2018+A1:2020</li> <li>• Safety Compliance (LVD) – 2014/35/EU, SI 2016/1101</li> <li>• Environmental Protection – BS EN 60529:1992+A2:2013</li> <li>• Enclosure – EN 60670-1, EN 60670-22</li> <li>• Socket(s) (where applicable) – BS EN 60309-2:1999+A2:2012</li> <li>• Cables (where applicable) – BS 6004</li> <li>• Flame Retardance – IEC 60695-2-11:2014</li> <li>• Impact Rating – BS EN 62262:2002+A1:2021</li> <li>• Metering (where applicable) – EN50470-1, EN50470-3, MID B+D Certified, 2014/32/EU, SI 2016/1153</li> <li>• RoHS – 2011/65/EU, SI 2012/3032</li> <li>• REACH – 1907/2006</li> <li>• Certification Markings – CE &amp; UKCA</li> </ul>
<b>Warranty</b>	12 Months

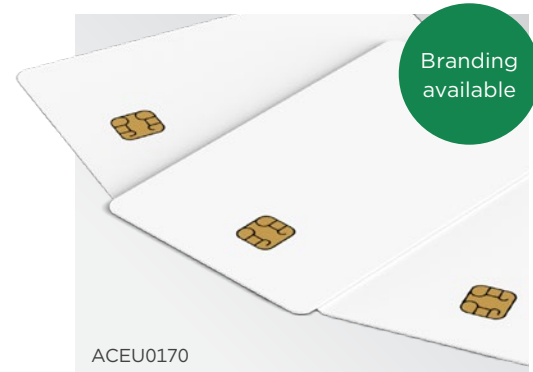


# Options & accessories

Product Code	Item Description
LSAF0060	1350mm galvanised steel post to suit small & large hook-up connection unit enclosures
ACEQ0030	C6A 30mA 1P+N 2MOD Type A (6KA) RCBO
ACEQ0070	C10A 30mA 1P+N 2MOD Type A (6KA) RCBO
ACEQ0110	C16A 30mA 1P+N 2MOD Type A (6KA) RCBO
ACEQ0160	C32A 30mA 1P+N 2MOD Type A (6KA) RCBO
ACEA0020i	16A 230V IP44 Interlock panel socket
ACEA0090i	32A 230V IP44 Interlock panel socket
ACLG0050	Photocell kit to control park lighting
ACEU0160	63A 1Phase Class 1 MID smartcard meter
ACEU0170	Blank reusable smartcard (printing/branding available)
LSAF0180	Smartcard meter system software and reader/writer



ACEU0160



ACEU0170



LSAF0060



LSAF0180



ACLG0050

# Smartcard metering & management



Rolec's smartcard metering is the ideal solution to efficiently control and manage a park's electric supplies. The smartcard meter includes a built-in electrical contactor that automatically switches the electricity supply on/off as credit becomes available or expires. Visitors pay upfront for their electricity consumption and any unused credit on the meter can be transferred back to the smartcard and returned to the office computer for a refund.

The smartcard meter system is an available option for the entire range of hook-up solutions and is perfect for caravan/holiday parks and similar locations that do not have the desire or capacity to install data cables or a networked management system.



- Pre-paid smartcard operated
- Class 1 accurate smartcard meter with digital display
- MID compliant
- Re-usable waterproof smartcards
- Easy to operate software
- USB card reader/writer
- Secure tariff management
- Audible & visual low credit warning
- Unused credit can be returned to the smartcard
- Smartcards are unique to each sites computer software





THIS DOCUMENT CONTAINS INFORMATION THAT IS SUBJECT TO CHANGE WITHOUT NOTICE.

The latest version of this publication can be downloaded at <https://www.rolecserv.com/downloads-caravan-hook-ups>

Illustrations of the product and user interface are for marketing purposes only.

Brand names, logos and trademarks used herein remain the property of their respective owners. This listing of any firm or their logos is not intended to imply any endorsement or direct affiliation with Rolec Services Ltd. and is purely to demonstrate branding opportunities.

© 2023 by Rolec Services Ltd. All rights reserved.

LSHUD-V01-R0 Hook-Up Connection Units Data Sheet



Designed  
& Stocked  
in the UK

---

**ROLEC**

t: 01205 724754

e: [enquiries@rolecserv.co.uk](mailto:enquiries@rolecserv.co.uk)

[www.rolecserv.com](http://www.rolecserv.com)

