

CLASSIC PEDESTAL

INSTALLATION & OPERATION MANUAL



ROLEC
Marina Services

Installation & Operation Manual - MAEM-01-V01-R3
April 2023

Amendments

Amendment Number	Details	Date
Ver 1, Rev 0	New Document.	November 2020
Ver 1 Rev 1	Addition of IK Rating	January 2021
Ver 1 Rev 2	Amendment to unpacking information	April 2021
Ver 1 Rev 3	Addition of maintenance information for water systems	July 2021
Ver 1 Rev 4	Amendment to include new LED Lighting	April 2023

Product:	Classic Marina Pedestal				
Applicable Models:	750mm Pedestals		1000mm Pedestals		
	MACA0010	MACA0030	MAEA0010	MAEA0030	
	MACA0010\KWH	MACA0030\KWH	MAEA0010\KWH	MAEA0030\KWH	
	MACA0010\KWH\TAP	MACA0030\KWH\TAP	MAEA0010\KWH\TAP	MAEA0030\KWH\TAP	
	MACA0010\TAP	MACA0030\TAP	MAEA0010\TAP	MAEA0030\TAP	
	MACA0020	MACA0040	MAEA0020	MAEA0040	
	MACA0020\KWH	MACA0040\KWH	MAEA0020\KWH	MAEA0040\KWH	
	MACA0020\KWH\TAP	MACA0040\KWH\TAP	MAEA0020\KWH\TAP	MAEA0040\KWH\TAP	
	MACA0020\TAP	MACA0040\TAP	MAEA0020\TAP	MAEA0040\TAP	
Document Type:	Installation and Operation Manual				
Document Code:	MAEM-01-V01-R4				
Language:	UK English (Original)				
Date Published:	April 2023				
<p>Rolec Services Ltd are the publishers of this document and own the rights to use the text, images and all technical content contained within. Content supplied by third parties / partner organisations remains the property of that organisation and is used by agreement with the supplier.</p> <p>Rolec Services Ltd exercise care to ensure content is as accurate as possible at the time of publication. However, no guarantee of accuracy should be inferred.</p>					
<p>Rolec Services Ltd, Ralphs Lane, Boston, Lincolnshire PE20 1QU, United Kingdom. +44 (0) 1205 724754 rolec@rolecserv.co.uk</p>					

Contents

Contents	2
Safety	3
Safety Advice within this Manual	3
Product Overview	4
Product Specification	6
Physical Specification	6
Electrical Specification	7
Water Specification (if installed)	7
Certifications and Compliances	7
Schematics	8
Labelling	13
Options and Accessories	13
Unpacking	14
Typical Contents	14
Installation	14
Before Installation	15
Ground Mounting - if a Mounting Base is Supplied	15
Ground Mounting - if a Mounting Plate is Supplied	15
Ground Mounting - if a Base or Plate is NOT Supplied	15
Install the Pedestal	16
Commissioning	18
Operation	18
Maintenance	19
Replace the LED Bulb(s)	19
General Maintenance	21

Safety

This manual is specifically applicable to the Classic Marina Pedestal product and is provided as a guide to its installation and use.



WARNING: Electrical Power

Make sure electrical power is isolated BEFORE starting this procedure.

- Turn power OFF at the SOURCE.



IMPORTANT: Installers and End Users must **read** and **understand** the content of this manual before installation/use.

Installation must **only** be performed by someone who is properly qualified and competent to do so in accordance with the current legislation and Electrical Wiring Regulations of the geographical location of the installation.

- If the advice in this manual is not understood, contact Rolec for further advice and/or training BEFORE attempting installation/operation of the equipment.
- Rolec Services Ltd cannot accept any responsibility for improper installation or any problems arising from improper installation.

NOTE: Damage to the equipment, connected systems or to property caused by improper installation/use are the responsibility of the installer/user.

- The information provided in this manual must ONLY be used with the model(s) listed on page 2 of this manual.
- The information provided in this manual must NOT be used with any other product.
- The content of this manual may be updated by the manufacturer as required.
- Do NOT use the equipment for anything other than its intended purpose.
- Do NOT modify the equipment unless specifically instructed to do so by the manufacturer.
- Do NOT attempt to repair the equipment unless specifically instructed to do so by the manufacturer.
- Damage to the product may render it unsafe. The product must be electrically isolated and NOT used until appropriate remedial action has been performed.

Safety Advice within this Manual

Rolec manuals use a system of warnings, cautions and notes.

- **WARNINGS** concern the safety of installers/end user and will be given before the detail/instructions in the manual.
- **CAUTIONS** concern the potential for damage to the equipment and will be given before the detail/instructions in the manual.
- **NOTES** are given to provide additional information and/or highlight information of importance. They will be given either before or after the detail/instructions as appropriate and may use different wording (such as IMPORTANT) where emphasis is required.

Warnings, Cautions and Notes may be repeated several times as appropriate and may be preceded by a hazard symbol.

Product Overview

The Classic Marina Pedestal has been designed to be a simple and cost effective option that still offers all of the essential needs.

Manufactured using high quality materials, the Classic has a long and successful history of use throughout the world and is available in a wide range of surface finishes that can accommodate a variety of service outlets.

This manual covers the range in standard specification.

Model Number	Standard Specification
MACA0010	750mm Pedestal 1x16A SKT / 1x16A RCBO / LED
MACA0010\KWH	750mm Pedestal 1x16A SKT / 1x16A RCBO / LED / KWH
MACA0010\KWH\TAP	750mm Pedestal 1x16A SKT / 1x16A RCBO / LED / KWH / S/S TAP
MACA0010\TAP	750mm Pedestal 1x16A SKT / 1x16A RCBO / LED / S/S TAP
MACA0020	750mm Pedestal 2x16A SKT / 2x16A RCBO / LED / 1x100A ISO
MACA0020\KWH	750mm Pedestal 2x16A SKT / 2x16A RCBO / LED / 1x100A ISO / KWH
MACA0020\KWH\TAP	750mm Pedestal 2x16A SKT / 2x16A RCBO / LED / 1x100A ISO / KWH / S/S TAP
MACA0020\TAP	750mm Pedestal 2x16A SKT / 2x16A RCBO / LED / 1x100A ISO / S/S TAP
MACA0030	750mm Pedestal 3x16A SKT / 3x16A RCBO / LED / 1x100A ISO
MACA0030\KWH	750mm Pedestal 3x16A SKT / 3x16A RCBO / LED / 1x100A ISO / KWH
MACA0030\KWH\TAP	750mm Pedestal 3x16A SKT / 3x16A RCBO / LED / 1x100A ISO / KWH / S/S TAP
MACA0030\TAP	750mm Pedestal 3x16A SKT / 3x16A RCBO / LED / 1x100A ISO / S/S TAP
MACA0040	750mm Pedestal 4x16A SKT / 4x16A RCBO / LED / 1x100A ISO
MACA0040\KWH	750mm Pedestal 4x16A SKT / 4x16A RCBO / LED / 1x100A ISO / KWH
MACA0040\KWH\TAP	750mm Pedestal 4x16A SKT / 4x16A RCBO / LED / 1x100A ISO / KWH / S/S TAP
MACA0040\TAP	750mm Pedestal 4x16A SKT / 4x16A RCBO / LED / 1x100A ISO / S/S TAP
MAEA0010	1000mm Pedestal 1x16A SKT / 1x16A RCBO / LED
MAEA0010\KWH	1000mm Pedestal 1x16A SKT / 1x16A RCBO / LED / KWH
MAEA0010\KWH\TAP	1000mm Pedestal 1x16A SKT / 1x16A RCBO / LED / KWH / S/S TAP
MAEA0010\TAP	1000mm Pedestal 1x16A SKT / 1x16A RCBO / LED / S/S TAP
MAEA0020	1000mm Pedestal 2x16A SKT / 2x16A RCBO / LED / 1x100A ISO
MAEA0020\KWH	1000mm Pedestal 2x16A SKT / 2x16A RCBO / LED / 1x100A ISO / KWH
MAEA0020\KWH\TAP	1000mm Pedestal 2x16A SKT / 2x16A RCBO / LED / 1x100A ISO / KWH / S/S TAP
MAEA0020\TAP	1000mm Pedestal 2x16A SKT / 2x16A RCBO / LED / 1x100A ISO / S/S TAP
MAEA0030	1000mm Pedestal 3x16A SKT / 3x16A RCBO / LED / 1x100A ISO
MAEA0030\KWH	1000mm Pedestal 3x16A SKT / 3x16A RCBO / LED / 1x100A ISO / KWH
MAEA0030\KWH\TAP	1000mm Pedestal 3x16A SKT / 3x16A RCBO / LED / 1x100A ISO / KWH / S/S TAP
MAEA0030\TAP	1000mm Pedestal 3x16A SKT / 3x16A RCBO / LED / 1x100A ISO / S/S TAP
MAEA0040	1000mm Pedestal 4x16A SKT / 4x16A RCBO / LED / 1x100A ISO
MAEA0040\KWH	1000mm Pedestal 4x16A SKT / 4x16A RCBO / LED / 1x100A ISO / KWH
MAEA0040\KWH\TAP	1000mm Pedestal 4x16A SKT / 4x16A RCBO / LED / 1x100A ISO / KWH / S/S TAP
MAEA0040\TAP	1000mm Pedestal 4x16A SKT / 4x16A RCBO / LED / 1x100A ISO / S/S TAP

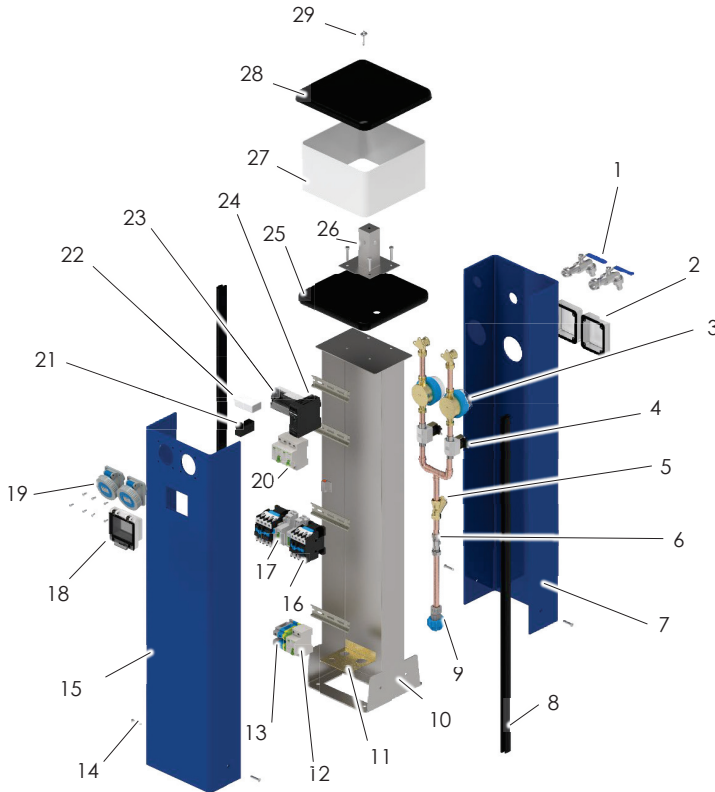


Figure 1 Classic Marina Pedestal Components

NOTE: The Classic pedestal can be supplied in a variety of configurations and many aspects may be customised to meet specific needs. The image above incorporates features from different models, which may not all be available in one unit.

- | | | | |
|-----------------------|--------------------------------|-----------------------|--------------------|
| 1. Taps | 9. Water Connection | 16. Contactor* | 24. PSU* |
| 2. Water Meter Window | 10. Chassis | 17. Electric Meter | 25. Top Sandwich |
| 3. Water Meter | 11. Gland Plate (UK Only) | 18. Meter Window | 26. LED Mount |
| 4. Electronic Valve* | 12. MCB for LED Light | 19. Socket | 27. Light Diffuser |
| 5. Water Strainer* | 13. Electrical Input Terminals | 20. MCB | 28. Top Lid |
| 6. Non-Return Valve | 14. Skin Fastener (1 of 4) | 21. Light Sensor | 29. Lid Bolt |
| 7. Rear Skin | 15. Front Skin | 22. PSU* | |
| 8. Sealing Rib | | 23. Digital I/O Unit* | |

NOTES:

1. * 'BerthMaster only' components.
2. Meters may be connected to the Berthmaster system.
3. Pipework may be plastic or copper as appropriate.

Product Specification

Physical Specification

Material	Head: ABS Granulate Natural Polyethylene Body Internal: Hot-Dipped Galvanised Steel Body External: Powder Coated Aluminium / Aluminium Composite / 304 Stainless Steel
Mass	
Operating Temperature	-30°C to +60°C
IP Rating	Pedestal Rated IP65, Sockets IP44/IP67
IK Rating	IK10 Enclosure

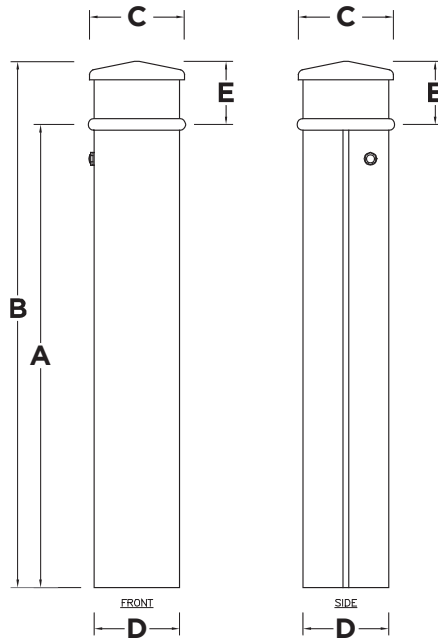


Figure 2 Classic Marina Pedestal Dimensions

- A: 750mm or 1000mm
- B: 885mm or 1135mm
- C: 205mm
- D: 185mm
- E: 135mm

Electrical Specification

Refer to the Product Overview table on page 4.

Sockets	16A Single Phase to 250A Three Phase
Input Voltage	230V Single Phase to 400V Three Phase
Overload & Fault Current Protection	<ul style="list-style-type: none"> • MCBs IEC 60898-1 • RCD or RCBO BS EN IEC 61009-1
Output Voltage	230V / 400V
Isolation – Single socket units	Not Required
Isolation – Multi socket units	1 x 100amp 2-Pole Isolator where required
Lighting	360 Degree Low Energy LED

Water Specification (if installed)

Taps	1/2" to 1"
Pressure	3 Bar Limit Controlled, 8 Bar Limit Non-Controlled
Protection	Lagging; <ul style="list-style-type: none"> • 1/2": 22 x 9mm. • 3/4": 28 x 13mm. • 1": 35 x 13mm.
Input	MDPE Coupler
Grade	Brass (UK), Stainless Steel (International)

Certifications and Compliances

This product has been designed and built in accordance with the following standards and legislation:

Wiring Regulations	BS 7671-2018
Low Voltage Directive	2014/35/EU
Switchgear	MCB/RCD or RCBO IEC 60898-1, IEC 61008-1, IEC 61009-1
Conduction and Radiation	BS EN IEC 55015:2019
EMC Directive	2014/30/EU
Enclosure	BS EN-10204:2004, BS EN 573-3:2013, BS EN 755-2:2016 EN 62262:2008
Sockets	EN60309-2 / EN60309-1
Cable	BS6004
RoHS	2011/65/EU
REACH	1907/2006



Schematics

The Classic Marina Pedestal is available in 2 heights and 4 different configurations:

- Socket(s) only
- Socket(s) + kWh Meter
- Socket(s) + Tap
- Socket(s) + kWh Meter + Tap

Refer to the 4-socket schematics for wiring of the 2 and 3 socket models.

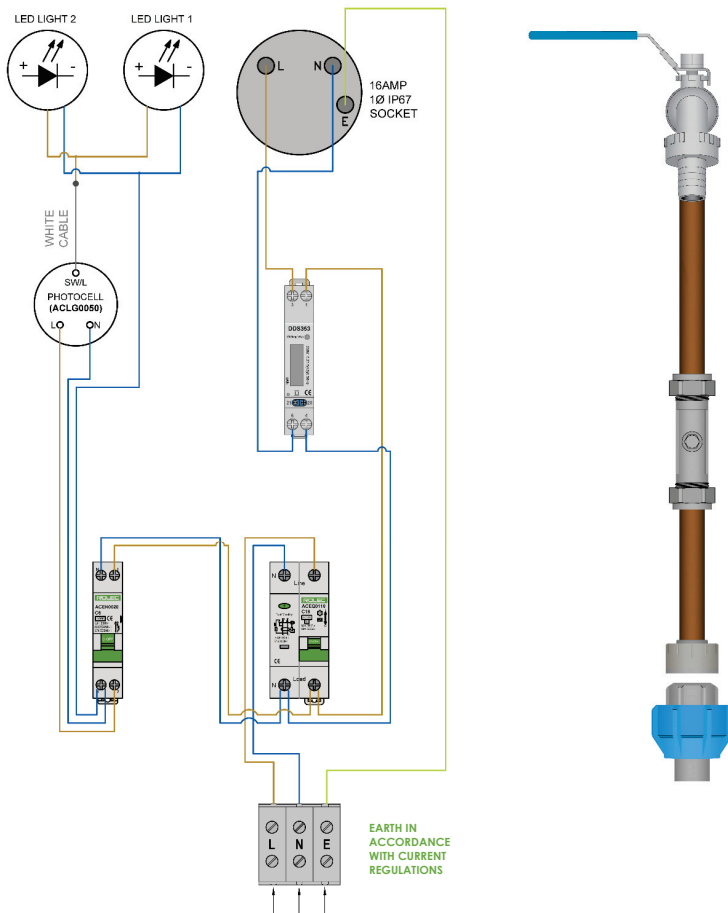
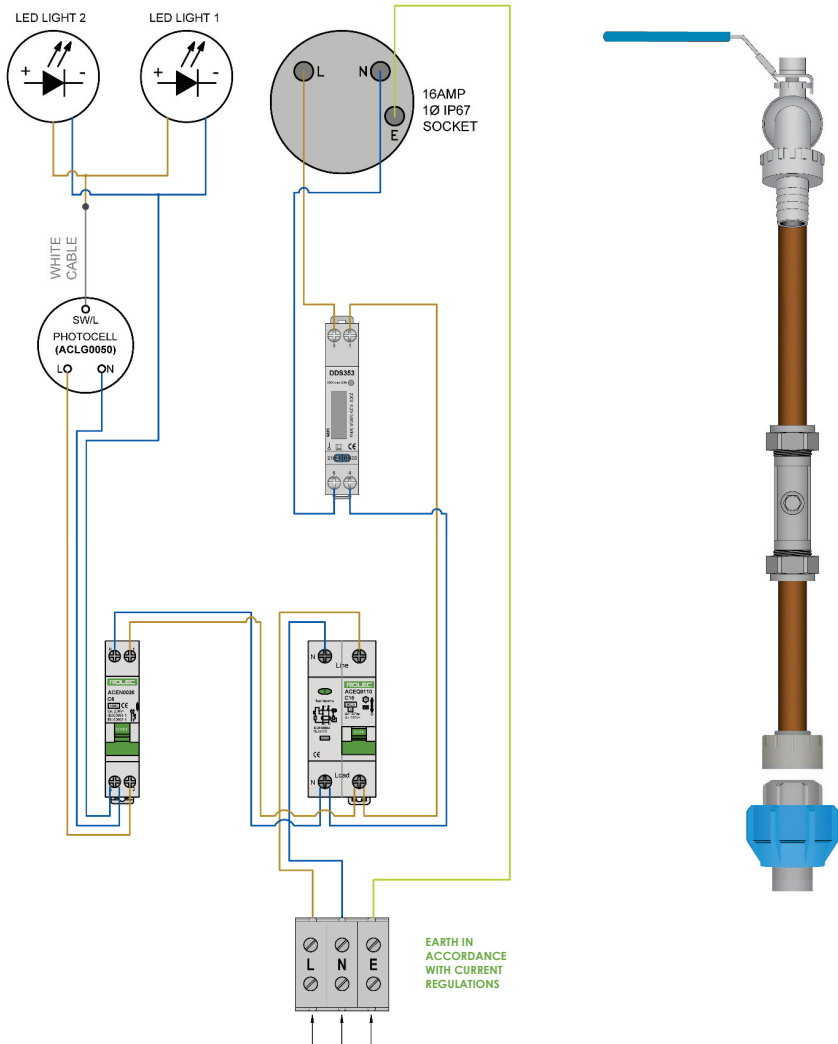


Figure 3 Typical Single Socket
(Pipework may not be present)



**Figure 4 Typical Single Socket + kWh Meter
(Pipework may not be present)**

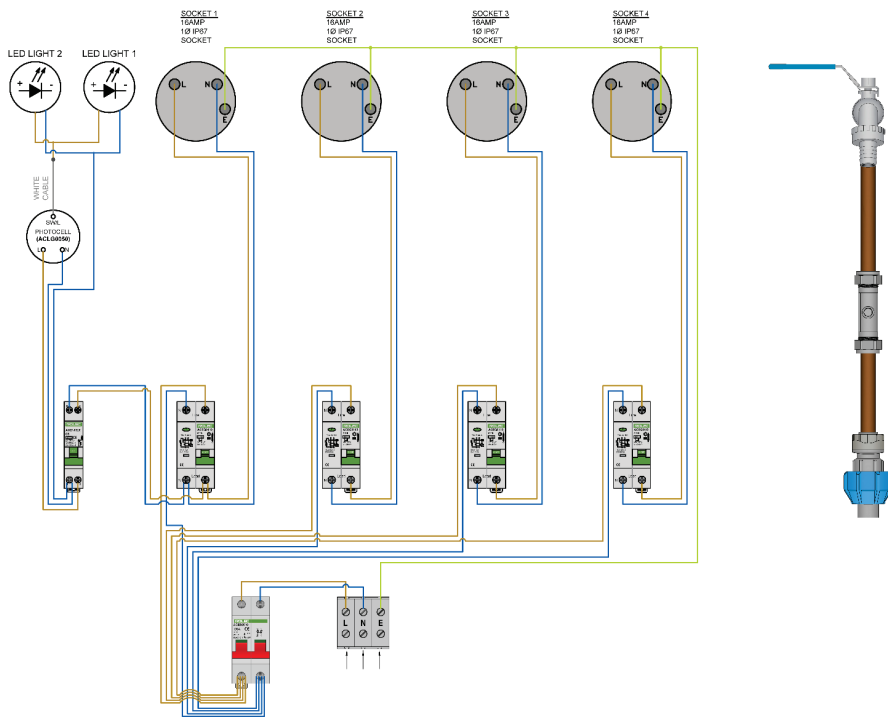


Figure 5 Typical Four Socket (Pipework may not be present)

NOTE: For 2 and 3 socket models, ignore wiring shown above for sockets 2 and/or 3 as appropriate.

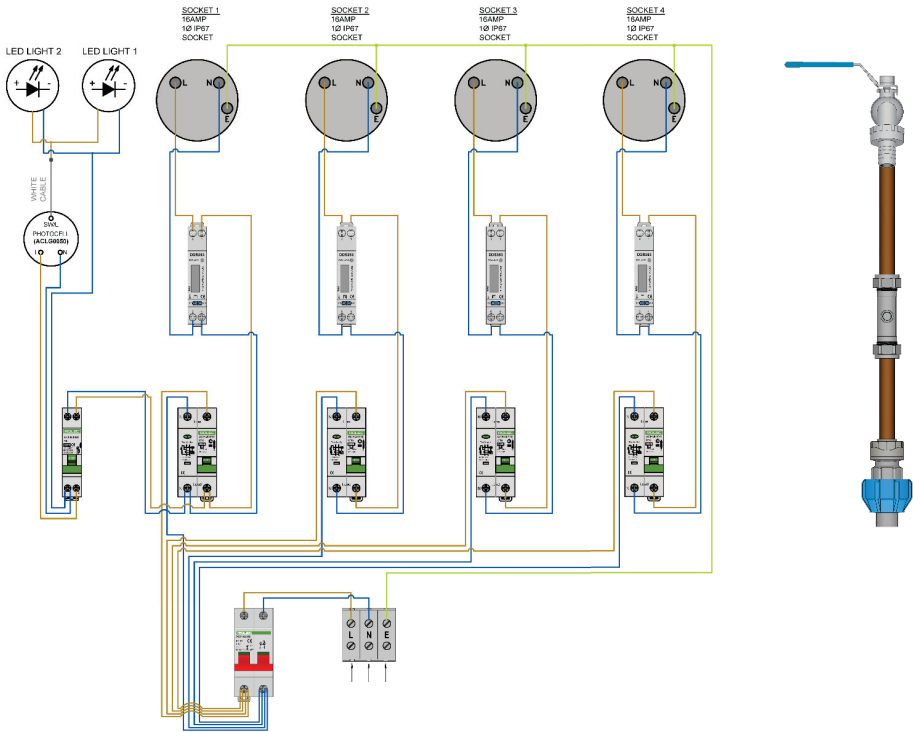


Figure 6 Typical Four Socket + kWh Meter (Pipework may not be present)

NOTE: For 2 and 3 socket models, ignore wiring shown above for sockets 2 and/or 3 as appropriate.

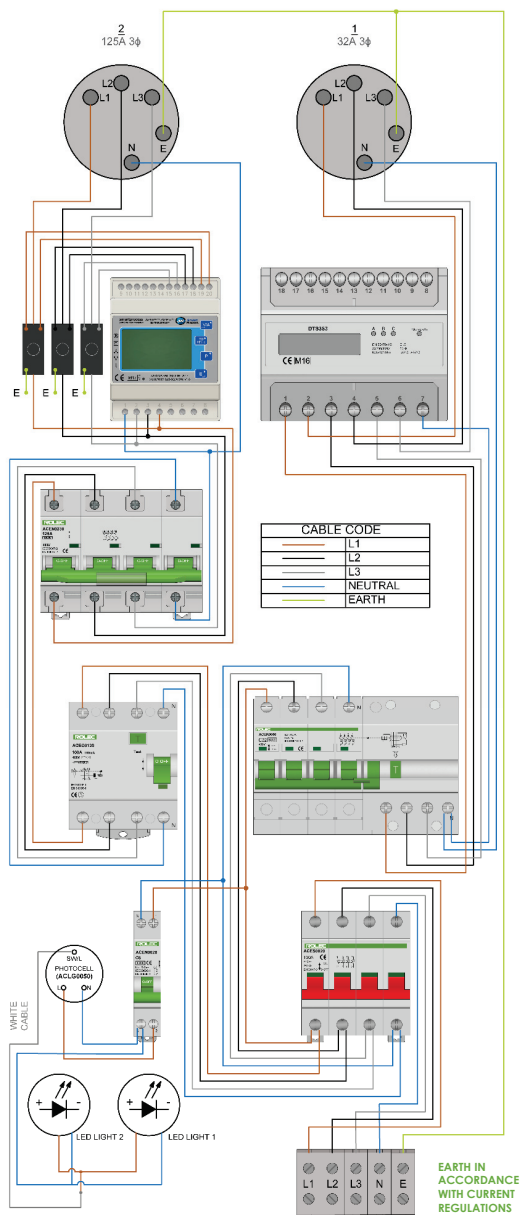


Figure 7 Example of a 3-Phase Pedestal with Different Socket Outputs

Labelling

Users must observe the information given on labels to ensure safe use of the product. Labels may be in the form of adhesive 'stickers', plates, and/or moulded into the surface of components.



Figure 8 Typical Product Label



Figure 9 Power Warning Labels as Appropriate

NOTE: Sockets are individually labeled with their power rating as appropriate.

Options and Accessories

- Shell colours.
- Panel materials.
- Branding vinyls.
- Electric and water metering.
- Switching and control.
- Telephone and data outlets.
- Heat trace tape (internal heating).

Unpacking

The content of the package depends on the model ordered and any options or accessories.

IMPORTANT: Make sure all packaging is disposed of responsibly and in accordance with the current regulations in your region.

Make sure the pedestal is NOT covered and all plastic packaging has been removed. Even in temperate climates, plastic packaging can cause localised heating of the pedestal that may result in temporary or permanent component failures.

Typical Contents

- 1 x Classic Marina Pedestal.
- Rubber Splash Mat
- External Water Tap(s)/Faucet(s) (optional - enclosed loose in the packaging).
- Ground Fixings (optional extra).
- Installation and Owner's Manual.
- BerthMaster Manual (if this option was selected).

Installation



WARNING: Electrical Power

Make sure electrical power is isolated BEFORE starting this procedure.

- Turn power OFF at SOURCE.



WARNING: Electrical Power

Make note of the electrical PHASE of the unit/socket to be connected. Make sure all work is carried out appropriately and in accordance with the current Electrical Wiring Regulations.



IMPORTANT: Water Connections

Water Connections must be made in accordance with the current Water Regulations applicable to the geographical region of the installation.



IMPORTANT: Installers and End Users **must** read and **understand** the content of this manual before installation and/or use of the product.

Installation must **only** be performed by someone who is properly qualified and competent to do so in accordance with the current legislation in force in the geographical location of the installation.

- Advice provided in this manual does NOT override any legislation.
- If the advice in this manual is not understood, contact Rolec for further advice and/or training BEFORE attempting installation/operation of the equipment.
- Rolec Services Ltd cannot accept any responsibility for improper installation or any problems arising from improper installation.

NOTE: Damage to the equipment, connected systems or to property caused by improper installation are the responsibility of the installer.

Before Installation

1. Establish a suitable site location for the unit that is both secure and environmentally safe.
2. Make sure the location meets current legislation (if applicable).
3. Make sure there is a suitable mains power supply available at the installation site.
4. Make sure there is a suitable water supply available at the installation site (if required).
 - If possible, flush the pipe to remove any debris or stale water before connecting to the pedestal.
5. Make sure that the unit and any accessories have not been damaged in transit.

NOTE: Items damaged in transit must first be reported to the courier and then to the supplier.

Where possible, photographic evidence of package and/or unit damage should be provided.

6. Make sure the unit model is correct and matches the order.

NOTE: Incorrect or damaged units must NOT be installed. Contact your supplier to discuss rectification.

NOTE: If the pedestal is NOT going to be sited on a pontoon or similar decking type location, a firm mounting point will be needed in/on the ground. Refer to the two sections immediately below on setting up a base location.

Ground Mounting - if a Mounting Base is Supplied

1. Prepare the ground and set the ground mounting base in the desired location.
 - Make sure ALL cables are fed upward through the middle of the base.
2. Concrete the base into place and allow time for it to set.
 - The lip of the base should be 2 – 3 mm above the surface.

Ground Mounting - if a Mounting Plate is Supplied

1. Prepare the ground and set the mounting plate in the desired location.
 - Make sure ALL cables are fed upward through the middle of the plate.
2. Secure the mounting plate to the ground with appropriate fasteners.

Ground Mounting - if a Base or Plate is NOT Supplied

1. Prepare a suitable area of firm, flat ground.
 - It must be possible to secure the pedestal to the ground with bolts or similar fasteners that are appropriate to the type of prepared ground.
 - Typically, into concrete, M8 x 100mm Anchor Bolts should be used but installers must assess the site and choose the most appropriate fastener for their needs.

Install the Pedestal



WARNING: Electrical Power

Make sure electrical power is isolated BEFORE starting this procedure.

- Turn power OFF at SOURCE.

NOTE: All electrical work must be performed in accordance with the current Electrical Wiring Regulations.

1. Remove and retain the fixings securing the front and rear skins to the pedestal.
 - Fixings are located at the bottom of the unit on the sides of the front and rear skins
 - Carefully ease the panel(s) away from the unit to gain access to the interior.
 - Take care not to damage or put strain on any cable connectors.
2. Cut a neat, appropriately sized hole(s) in the supplied rubber splash mat to match the mounting points of the base and to allow entry of the power cable and water pipe (if required).
3. Fit the mat over the cables and onto the four studs of the ground mounting base or the securing points if a base was not supplied.
4. Carefully lift the pedestal then lower it over the cable / pipe and onto its mounting position.
5. Secure the pedestal to the ground with the correct type and size of fasteners for the location.
6. Route the cables to the appropriate length to be able to connect to the terminals.
7. If required, route the water pipe to be able to connect to the pedestal water system.

NOTE: All electrical and plumbing work must be performed by an appropriately qualified engineer in accordance with the current regulations.

8. Secure the incoming cable(s) to the gland plate (UK models only).
9. Terminate the supply cable in the appropriate manner and connect to the pedestal as per the appropriate schematic.
10. Make sure all cable connections are secure and have not become loose or damaged in transit or during installation.
11. If required, connect the water supply to the pedestal in accordance with the current, appropriate legislation.

CAUTION: Equipment Damage

If an external water tap/faucet is to be installed, do NOT attempt to force the connection to be tight and vertically aligned. The tap and/or water system will be damaged. Refer to step 12 for further details.

12. If an external water tap/faucet is to be installed, make sure to apply sufficient thread sealing tape to the tap threads to ensure the connection will become vertically aligned and tight **BEFORE** reaching the end of the threads.
- Test fit the tap (without sealing tape) to determine the point at which the fitting can no longer turn (the end of the threads).
 - Remove the tap and apply sealing tape to the threads of the tap connection.
 - Fit the tap and ensure it becomes tight and vertically aligned before reaching the end of the threads.
 - If required, repeat these steps to either add or remove sealing tape until the correct tap fitting and alignment is achieved.
13. Make sure ALL debris is removed from the enclosure and that no debris is present on any of the components.

IMPORTANT NOTE:

- It is the responsibility of the installing engineer to satisfy themselves that all cable terminations throughout this product are secure and tight and have not become loose, strained or disconnected during transit and/or installation.
- It is the responsibility of the installing engineer to satisfy themselves, that the water connection has been performed in accordance with the current, appropriate legislation.

14. Turn the water supply ON and test the system for leaks and security of connection.

WARNING: Electrical Power

Do NOT apply electrical power to the pedestal until all water connections are secure and leak free.

- Make sure electrical components are dry before power is applied.
- Make sure it is safe to apply electrical power to the pedestal.

15. Switch ON the internal switchgear for the power and LED lamp.
16. Switch ON the power to the pedestal and test in accordance with current regional Electrical Wiring Regulations.

Commissioning

Before handing over to the customer:

Switchgear	Test the switchgear protecting each socket in accordance with the regulations.
Socket	Test the polarity of each socket in accordance with the regulations.
Meters	If fitted, make sure meters are functioning.
LED Lamp	<p>The pedestal incorporates an area illumination lamp which activates in response to changing light levels.</p> <ol style="list-style-type: none"> 1. Cover the light sensor, located on the side of the pedestal, the lamp should illuminate. 2. Uncover the light sensor and the lamp should switch OFF. <p>NOTE: To prevent flickering in frequently changing light conditions the lamp has a built-in delay before it switches on / off.</p>
Water	<ol style="list-style-type: none"> 3. If fitted, turn on the tap(s) and allow water to flow to remove any stale water in the system or water supply pipes. 4. Perform a visual check that water flow/pressure appears sufficient. <p>NOTE: Debris in the water may cause water meters to fail or to provide incorrect readings.</p>
Secure	<ol style="list-style-type: none"> 5. Refit the front panel, taking care not to trap any electrical cables. Secure the panel with the fixings removed earlier in the procedure. 6. If required, refit the rear panel. Secure the panel with the fixings removed earlier in the procedure. 7. Make sure you are satisfied that the installation is complete and is in a safe condition.
Clean	<ol style="list-style-type: none"> 8. Make sure all information labels are present, undamaged and visible. 9. Clean the pedestal ready for hand over to remove handling and installation marks.
Handover	<p>Make sure the pedestal is NOT covered and all plastic packaging has been removed. Even in temperate climates, plastic packaging can cause localised heating of the pedestal that may result in temporary or permanent component failures.</p> <p>Make sure this manual is given to the customer along with copies of any installation paperwork.</p>

Operation

Operators who have chosen the BerthMaster option should refer to the BerthMaster Operation Manual and the BerthMaster Management Portal Operation Manual as appropriate:

Maintenance

Replace the LED Bulb(s)

The LED bulbs in the lighting head can be easily replaced.

IMPORTANT: Only install bulbs of the same specification.

Heat from other types of bulbs may damage the pedestal.

- Bulb Type: G9 LED
- Power: 2.3W each / 230 - 240 Volts
- Colour Temperature: 5000K

WARNING: Electrical Power

Turn OFF electrical power to the pedestal before starting work.

1. Make sure electrical power to the pedestal is OFF.
2. Remove and retain the single bolt and sealing washer from the centre of the lighting unit top cover.
3. Remove the top cover.

NOTE: The Light Diffuser (Lens) is not secured to the pedestal and may be removed if required but access to the bulbs is not restricted with the diffuser in place.

4. Carefully pull the bulb(s) to be replaced, from their bulb holder(s).
5. Push the new LED bulb(s) into the bulb holder(s).

NOTE: G9 bulbs do not have a polarity.

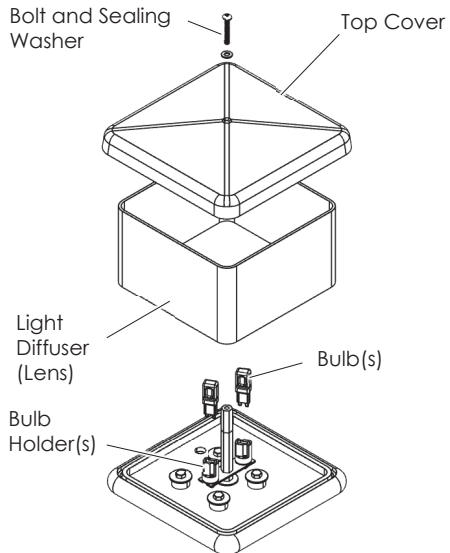


Figure 10 Lighting Head

6. If the light diffuser was removed, place the light diffuser onto the lighting head base.
 - If the diffuser has an internal bead, this side should be placed downwards towards the base.
 - Make sure the bottom of the diffuser sits cleanly and squarely against the rubber seal.
7. Make sure the top cover is clean and free of debris. Pay particular attention to the rubber seal that runs around the inside edge of the cover.

8. Place the top cover onto the light diffuser.
 - Make sure the top of the diffuser sits cleanly and squarely against the rubber seal in the top cover.
9. Secure the top cover to the lighting head with the bolt and sealing washer removed at start of the upgrade process.
 - Make sure the rubber side of the washer sits against the top of the cover.
10. Turn ON electrical power to the pedestal.

NOTE: In the event of a hardware issue, always contact your installer first.

- Damage caused to the equipment by misuse, lack of maintenance, inappropriate maintenance or modification is not covered by the manufacturer warranty.

General Maintenance

1. Regularly clean the external surfaces of the equipment by wiping with a damp cloth.

CAUTION: Equipment Damage

To avoid damage to the surface finish, and/or internal components do NOT use:

- Abrasive materials.
- Mineral or petroleum solvents / degreasers.
- Hose pipes, Jet washers or Steam cleaners.

Cleaning using these methods will invalidate the warranty.

2. Regularly, visually inspect the exterior of the equipment for damage.
 - If damage affects safety, isolate the equipment and prevent its use until appropriate repairs have been completed.
3. Water systems must be allowed to flow on a regular basis to reduce the opportunity for calcification or other accumulations of water born solids which may cause water meter inaccuracy or failure.
 - If a water system has not been used for several weeks, the system should be allowed to flow, and meter accuracy should be assessed before relying on meter readings for billing.
 - Where deposits (scale) have formed within components, it should be removed with a proprietary de-scaling chemical suitable for use with food preparation equipment. Make sure to follow the manufacturer's instructions regarding the correct and safe use of the chemical(s).
4. Perform a functional test of the switchgear every six months by pressing the test button and making sure that the switchgear deactivates.
 - If the equipment fails the test, isolate the equipment and prevent its use until appropriate repairs have been completed.
5. The pedestal and switchgear should be electrically inspected in accordance with the current legislation for the installation location.
 - If the equipment fails the test, isolate the equipment and prevent its use until appropriate repairs have been completed.

ROLEC

Marina Services

THE WORLD'S LEADING MARINA
SERVICES SPECIALIST



Head office contact:
t: +44 (0) 1205 724754
f: +44 (0) 1205 724876
rolec@rolecserv.co.uk

 @RolecMarina
www.rolecserv.com