



NEW MODELS
Contactless payment terminal & LCD display screen

ROLEC

SECURICHARGE

Intelligent EV charging unit



SECURICHARGE

Intelligent EV charging unit

The SECURICHARGE is a heavy-duty and vandal-resistant EV charging unit. An ideal wall-mounted solution for car parks in exposed locations.

Effortless integration with any OCPP chargepoint management system offers an ideal plug-and-charge or pay-to-charge solution. Seamless charging experience for EV drivers via an app, RFID card/fob, or optional contactless payment. Additionally, an optional 5" LCD screen displays real-time charging status.

Feature-rich, this EV charger supports dynamic load balancing and is equipped with PME fault detection to reduce installation costs. Available in 1way or 2way versions, providing up to 22kW superfast charging.

**NEW
MODELS**

Contactless payment terminal & LCD display screen



Product features

- Plug & go, app, contactless payment (model dependant), or RFID controlled charging
- Choose from 1x or 2x universal charging socket(s)
- Up to 7.4kW or 22kW charging output(s)
- PME fault detection (no earth rod required)
- Supports dynamic load balancing & static load management
- OCPP 1.6 compliant (integrates with any chargepoint management system)
- Over-the-air firmware / software updates
- Built-in AC overload & fault current protection (RCBO)
- Built-in 6mA DC leakage protection
- Dual tamper and breach security notifications
- Lockable front access door
- 5" LCD Screen (model dependant)
- Cable lock security feature (can be permanently locked by user)
- MID-approved energy metering
- 4G / Wi-Fi / Ethernet connectivity
- Conforms with PAS 1899 accessible charging standard*
- Strong and durable IP54 / IK10 rated
- Independent back plate for easy wall or post mounting
- OZEV grant fundable (UK only)
- Designed & manufactured in the UK



*When installed at the specified height



OCPP 1.6 compliant

Ability to integrate with any OCPP compliant chargepoint management system and app.



Easy to operate

Quick and simple ways to operate; plug & go, app, RFID card/fob, or optional contactless payment.



Funding options available

Speak to us about flexible EV infrastructure investment opportunities.



4G / Wi-Fi / Ethernet enabled

Complete with secure 4G, Wi-Fi and Ethernet connectivity, ensuring chargers are always online 24/7.



Branding & colour options available

Rolec offers a bespoke chargepoint branding service; from logos & brand colours, to vinyl wraps.



No earth rod required

Equipped with built-in PME fault detection, saving installation time and costs.

The details

LCD SCREEN

OPTIONAL
FEATURE

The 5" LCD screen, protected by a tempered glass front, provides clear step-by-step charging instructions, real-time charging status, and live MID meter readings for each outlet. Support contact information is also conveniently displayed at the bottom of the screen.

GO CONTACTLESS

OPTIONAL
FEATURE

The market-leading integrated contactless payment terminal offers EV drivers a hassle-free tap-and-charge experience. Perfect for public locations.



[LEARN MORE](#)



UP TO 22kW

Available in both single phase and three phase models, providing up to 22kW superfast charging.

SECURICHARGE is compatible with all EVs & PHEVs, charging at the fastest speed possible, ensuring vehicles are ready to go in no time.

ACCURATE BILLING

Built-in MID-approved energy metering ensures accurate consumption reporting, which is essential for businesses and residential car parks, wishing to bill for their usage. Use our back-office management platform to generate revenue by setting your own tariffs.

SAFE AND SECURE

ROLEC's entire EV chargepoint range is fully UK Smart Charge Point Regulation compliant, and come with a 3 year warranty for added peace of mind.

Chargers receive over-the-air updates ensuring a safe and future-proof product 24/7.

The details

Model Variations



SECURICHARGE with LCD screen & contactless payment terminal

SECURICHARGE with LCD screen

SECURICHARGE with contactless payment terminal

SECURICHARGE with standard features

Plug & go operation	<input checked="" type="checkbox"/>	<input checked="" type="checkbox"/>	<input checked="" type="checkbox"/>	<input checked="" type="checkbox"/>
Mobile app operation	<input checked="" type="checkbox"/>	<input checked="" type="checkbox"/>	<input checked="" type="checkbox"/>	<input checked="" type="checkbox"/>
RFID card/fob operation	<input checked="" type="checkbox"/>	<input checked="" type="checkbox"/>	<input checked="" type="checkbox"/>	<input checked="" type="checkbox"/>
Contactless payment terminal	<input checked="" type="checkbox"/>		<input checked="" type="checkbox"/>	
5" LCD screen	<input checked="" type="checkbox"/>	<input checked="" type="checkbox"/>		
Lockable front access door	<input checked="" type="checkbox"/>	<input checked="" type="checkbox"/>	<input checked="" type="checkbox"/>	<input checked="" type="checkbox"/>
Wall/post mounting plate	<input checked="" type="checkbox"/>	<input checked="" type="checkbox"/>	<input checked="" type="checkbox"/>	<input checked="" type="checkbox"/>
Charging speeds (Max. kW)	7.4 22	7.4 22	7.4 22	7.4 22
Charging outputs	1x 2x	1x 2x	1x 2x	1x 2x
Colour options				
Product codes	ROLEC3111B ROLEC3121B ROLEC3113B ROLEC3123B	ROLEC2111B ROLEC2121B ROLEC2113B ROLEC2123B	ROLEC1111B ROLEC1121B ROLEC1113B ROLEC1123B	ROLEC0311B ROLEC0321B ROLEC0313B ROLEC0323B

Specifications

Product Overview

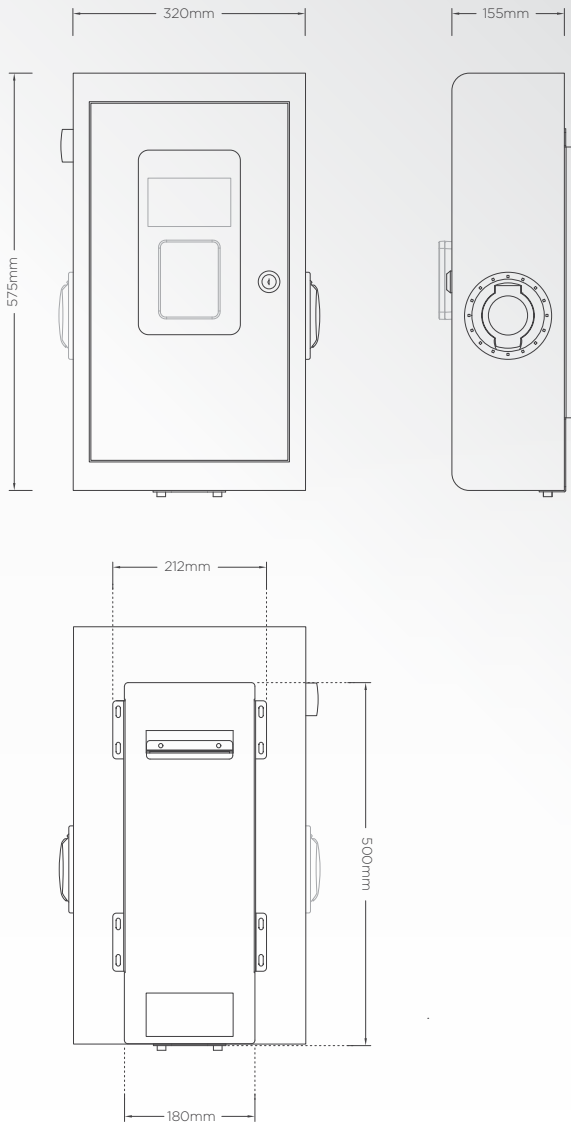
	Connection Type	Charging Output	Input Supply	Unit Colour	Additional Features	Product Code
Single Phase Units	1x Universal charging socket	Up to 7.4kW (32A)	1x Up to 32A Single Phase* 230V AC (±10 %) 50/60Hz	● Black	LCD screen & contactless payment terminal	ROLEC3111B
					LCD screen	ROLEC2111B
					Contactless payment terminal	ROLEC1111B
					None	ROLEC0311B
	2x Universal charging sockets	Up to 7.4kW (32A) per socket	1x Up to 63A Single Phase* 230V AC (±10 %) 50/60Hz	● Black	LCD screen & contactless payment terminal	ROLEC3121B
					LCD screen	ROLEC2121B
					Contactless payment terminal	ROLEC1121B
					None	ROLEC0321B
Three Phase Units	1x Universal charging socket	Up to 22kW (32A)	1x Up to 32A Three Phase* 400V AC (±10 %) 50/60Hz	● Black	LCD screen & contactless payment terminal	ROLEC3113B
					LCD screen	ROLEC2113B
					Contactless payment terminal	ROLEC1113B
					None	ROLEC0313B
	2x Universal charging sockets	Up to 22kW (32A) per socket	1x Up to 63A Three Phase* 400V AC (±10 %) 50/60Hz	● Black	LCD screen & contactless payment terminal	ROLEC3123B
					LCD screen	ROLEC2123B
					Contactless payment terminal	ROLEC1123B
					None	ROLEC0323B

*Should supply be limited, chargepoint(s) can be configured to any output (min. 6A)

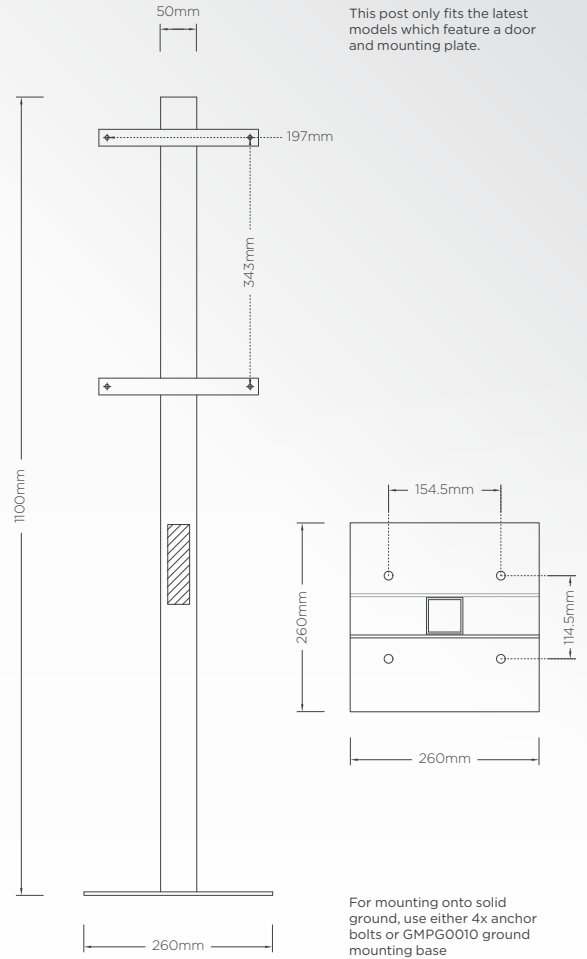
Specifications

Unit Dimensions

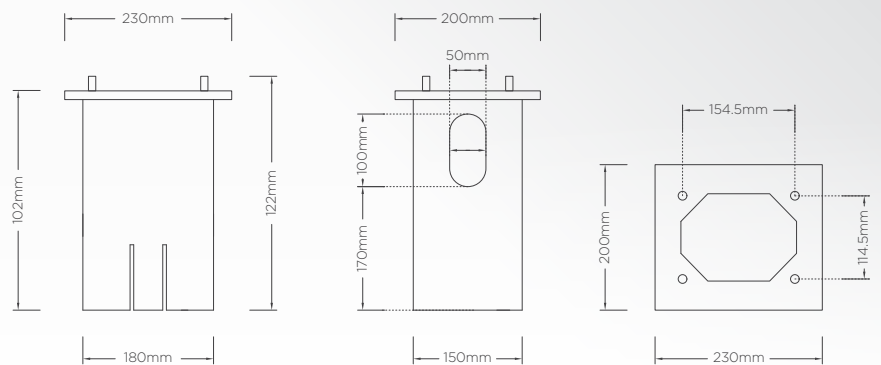
SecuriCharge 1way/2way unit:



SecuriCharge mounting post:



Ground mounting base for SecuriCharge mounting post:



Specifications

Technical Data

User Interface	<ul style="list-style-type: none"> • Mobile app • Contactless card payment terminal (EMVCo. L1 v3.0 Certified) (model dependant) <ul style="list-style-type: none"> • RFID reader (ISO14443 A & B (T=CL), Desfire EV2/3 & Mifare Classic protocols) • NFC (ISO18092) • 5" LCD display screen • RFID reader(s) (MIFARE ISO/IEC 14443 A) (model dependant) • Plug & go • RGB LED status indicator halo(s) - configurable
Charge Protocol	Mode 3 (IEC 61851-1)
Built-in Protection	<ul style="list-style-type: none"> • AC overload & fault current protection - 40A 30mA Type A RCBO (per socket) • DC fault protection - 6mA • Lightning surge, over temperature protection • PME fault detection - No earth electrode/rod required • Supports automatic dynamic load balancing (may require additional hardware) • Supports static load management (software configurable)
Required External Protection	<ul style="list-style-type: none"> • Over current protection - A suitably rated MCB or Type-A 30mA device is to be installed at source (dependent on cable type and/or route) • Surge Protection - May be required depending on the installation
Cable Terminals	<ul style="list-style-type: none"> • Single Phase - 3x 50mm 1P + N + E • Three Phase - 5x 50mm 3P + N + E
Communications	<ul style="list-style-type: none"> • 4G LTE Cat-1 (built-in nano SIM, subscription required) <ul style="list-style-type: none"> • LTE FDD: B1/B3/B5/B7/B8/B20/B28 • GSM: B2/B3/B5/B8 • Wi-Fi 802.11 b/g/n 2.4 GHz (2412-2472 MHz / 2422-2462 MHz) • NFC 13.56 MHz • RJ45 Ethernet connection • Bluetooth Low Energy (BLE 4.1) 2402-2480 MHz (for installer configuration purposes) • OCPP 1.6J • Cyber security - Data encryption level TLS 1.2
Energy Metering	Integrated Class 1 MID compliant metering
Standby Power Consumption	<ul style="list-style-type: none"> • Charging circuits - < 7.5W (per socket) • Panel heater - 8W • LCD display screen - < 3W (where fitted) • Contactless card payment terminal - 18W (where fitted)
Dimensions	320mm x 575mm x 155mm (W x H x D)
Weight	< 15.5kg (model dependant)
Environmental	<ul style="list-style-type: none"> • Ingress protection - Enclosure IP54, Socket IP54 • Impact protection - IK10 • Security - Dual tamper and breach notifications • Operating temperature - -30°C to +50°C • Operating humidity - 5% to 95%
Materials	<ul style="list-style-type: none"> • Body - Heavy duty 1.5mm Steel applied with 45-55 microns of Zinc primer • Finish - Corrosive resistant, textured Polyester powder coating • Fascia - Tempered glass (where fitted)
Unit Colour	 Black Other colours available upon request
Certifications & Compliances	<ul style="list-style-type: none"> • EV Charging Compliance - EN 61851-1:2019, EN 61851-22:2002 • Smart Charge Points - (SI 2021/1467) • Wiring Regulations - BS 7671:2018+A2:2022 • EMC Compliance - EN 61000-6-3:2007+A1:2011, EN 61000-6-2:2005, 2014/30 /EU, SI 2016/1091, (EN 301 489-1 V1.9.2, EN 301 489-3 V2.1.1, EN 301 489-17 V1.3.1, EN 301 489-19 V2.1.1, EN 301 489-52 v1.1.0)^P • Safety Compliance (LVD) - EN 62368-1:2014, 2014/35/EU, SI 2016/1101, EN 60950-22:2006^P • 30 mA AC & 6 mA DC Protection - in accordance with IEC EN 61009-1:2012+A12:2016, IEC61009-2-1:1994+A11:1998, BS IEC 62955:2018 • Communications / RED - EN 62311:2008, 2014/53/EU, SI 2017/1206, EN 300 330 V2.1.1 (2017-02), EN 301 908-1 V15.1.1 (2021-09), EN 301 908-13 V13.2.1 (2022-02), EN 301 511 V12.5.1 (2017-03), EN 300 328 V2.2.2 (2019-07), EN 300 440 V2.2.1 (2018-07), (EN 301 908-2 V13.1.1, EN 303 413 V1.1.1)^P • Environmental Protection - BS EN 60529:1992+A2:2013 • Impact Rating - BS EN 62262:2002+A1:2021 • Metering - 2014/32/EU, SI 2016/1153 • Accessibility - PAS 1899 accessible charging standard (when installed in at the specified height) • RoHS - 2011/65/EU, SI 2012/3032 • REACH - 1907/2006, REACH etc. (Amendment) Regulations 2021 • Payter Payment Device - CE, FCC, RoHS, WEEE , REACH, EMVCo, PCI-PTS 6.x, TQM, MasterCard, VISA, American Express, Discover, Diners ^P • Certification Markings - CE & UKCA
Warranty	3 years

Options & accessories

Product Code	Item Description
RFID0010	RFID card
RFID0020	RFID fob
EVFP0065	SecuriCharge mounting post (fits 1 charger)
EVFP0075	SecuriCharge mounting post (fits up to 2 chargers)
GMPG0010	Ground mounting base for SecuriCharge mounting post
EVCB0020	Root mount protection barrier - 48mm
EVCB0040	Surface mount protection barrier - 48mm
EVPS0010	EV parking sign - A4 landscape (Other sizes are available)
ROLEC5000	TAP & CHARGE remote payment terminal
EVPP0100	5m 32A Type 2 to Type 2 charging cable
EVPP0107	10m 32A Type 2 to Type 2 charging cable
EVPP0105	5m 32A Three phase Type 2 to Type 2 charging cable
EVPP0108	10m 32A Three phase Type 2 to Type 2 charging cable (Other cables are available, including Type 1 options)
EVRS0030	Remote wall mount for Type 2 charge plug holster
ACSR0525	Perific Max Fuse Protection Device with 3x 900A up to 36mm ² Current Sensors
ACSR0535	Perific Max Fuse Protection Device with 3x 900A up to 100mm ² Current Sensors
ACSR0545	Perific Max LAN Accessory Input Kit
ACSR0125-F	100A up to 35mm ² screened CT clamp with 10m cable



NEW
Tethered models available upon request



TAP & CHARGE Remote payment terminal

Hassle-free transactions across multiple EV chargers. Ideal solution for commercial and public locations.

ROLEC5000



Branding & colour options available

ROLEC offer a bespoke chargepoint branding service; from logos & brand colours, to vinyl wraps. This can be arranged at time of order. Contact ROLEC for details.

Brand names, logos and trademarks used herein remain the property of their respective owners. This listing of any firm or their logos is not intended to imply any endorsement or direct affiliation with Rolec Services Ltd. and is purely to demonstrate branding opportunities.

Chargepoint management & operation



Integrated with over 40 CPMS partners around the globe

Approved CMS partners:

- MONTA
- wattif
- Fuuse
- VIRT2
- ClenergyEV
- drivvz
- AMPECO
- greenflux
- CURRENT
- ArtoEnergy
- connekt
- Spirii
- ROAM
- NOR+HE
- STUART ENERGY
- wevo
- ChargePanel
- MOBILITY 46
- RE&GO
- + many more



Chargepoint operators

ROLEC EV chargepoints boast an array of intelligent features. When combined with any approved OCPP compliant chargepoint management system (CPMS), chargepoint operators will have the ability to deploy and self-manage their own public and/or private EV charging network. Ideal for workplace, fleet, commercial and residential locations.

- Businesses can easily manage their network of chargepoints
- Conveniently set chargers to be private or publicly accessible
- Offer pay-to-charge solutions and benefit from generating additional revenue
- Set custom & flexible tariffs for different customer or charger groups
- Access advanced features including dynamic load management (DLM)
- Users can operate chargepoints via mobile app, RFID, contactless payment (model dependent), or a remote contactless payment terminal (contact ROLEC for more information about the TAP & CHARGE solution)
- 24/7 support for users and operators of the chargepoints



NEED ADVICE?

Speak to a member of the team to find the right solution for you



Chargepoint users

Take full control of your EV charging experience and maximise the intelligent features of the chargepoint management system.

- Locate and navigate using the chargepoint map
- Easily initiate and pay for charges
- Real-time information to maximize your charging experience
- Access to benefits and rewards for EV drivers
- 24/7 support for help when you need it most



Please Note: All chargepoint management and operation features are subject to the specified CPMS



THIS DOCUMENT CONTAINS INFORMATION THAT IS SUBJECT TO CHANGE WITHOUT NOTICE.
The latest version of this publication can be downloaded at www.rolecserv.com/downloads-ev-charging

Illustrations of the product and user interface are for marketing purposes only.

Brand names, logos and trademarks used herein remain the property of their respective owners.
This listing of any firm or their logos is not intended to imply any endorsement or direct affiliation
with Rolec Services Ltd. and is purely to demonstrate branding opportunities.

© 2025 by Rolec Services Ltd. All rights reserved.
EVSD-V02-R3 SecuriCharge Data Sheet



Designed &
Manufactured
in the UK

ROLEC

t: 01205 724754
e: enquiries@rolecserv.co.uk

www.rolecserv.com

