



**ROLECEV**

# TAP & CHARGE

Remote contactless payment terminal



Manufactured  
in the UK

# TAP & CHARGE

Remote contactless payment terminal

TAP & CHARGE offers an cost-efficient contactless payment solution tailored for commercial and public locations offering EV charging.

Operators seeking simplicity and convenience for their customers will find TAP & CHARGE to be the perfect fit. Our remote contactless payment terminal ensures hassle-free transactions across multiple chargepoints, mirroring the ease of a conventional parking meter.

Whether wall or post-mounted, the robust heavy-duty steel enclosure with vandal-resistant features and a market-leading Payter contactless terminal, ensures reliability even in exposed and unattended environments.

TAP & CHARGE offers seamless integration with the operators' preferred back-office platform, providing real-time access to transaction data and tariff management. This not only streamlines operations but also cuts down on the associated payment terminal and SIM subscription fees.





# Product features

- NFC contactless payment solution for multiple EV chargers
- Compatible with all ROLEC EV chargepoints\*
- 3.5" LCD backlit touch screen display
- Market-leading Payter contactless terminal
- Supports pin entry for unattended environments
- Integrates with chargepoint management back-office
- Real-time transactions & data reporting
- Customisable advertising screen (great for promotions or branding)
- Over-the-air firmware / software updates
- Built-in surge protection
- 4G / Wi-Fi / Ethernet connectivity
- Waterproof & vandal-proof IP65 / IK09 rated terminal
- Strong and durable IP66 / IK10 rated enclosure
- Wall or post mounted
- Designed & manufactured in the UK

Powered by **MONTA**

Other compatible back-office partners:

- Fuuse**
- wattif**
- driivz**
- AMPECO**
- greenflux**



\*Excluding QUBEV Smart



## Easy to operate

Simple contactless payment solution for multiple ROLEC EV chargepoints.



## Wireless Integration

Connects wirelessly to a network of EV chargepoints without the need for any data cables.



## Secure payments

PCI 6.x Certified. Best-in-class secure cardholder authentication, supporting PIN entry.



## 4G / Wi-Fi / Ethernet enabled

Complete with secure 4G, Wi-Fi and Ethernet connectivity, ensuring services are always online 24/7.



## Branding options available

From logos & brand colours, to vinyl wraps and customisable payment terminal screens.



## Terminal management

Remotely monitor and manage payment terminals via the terminal management system.

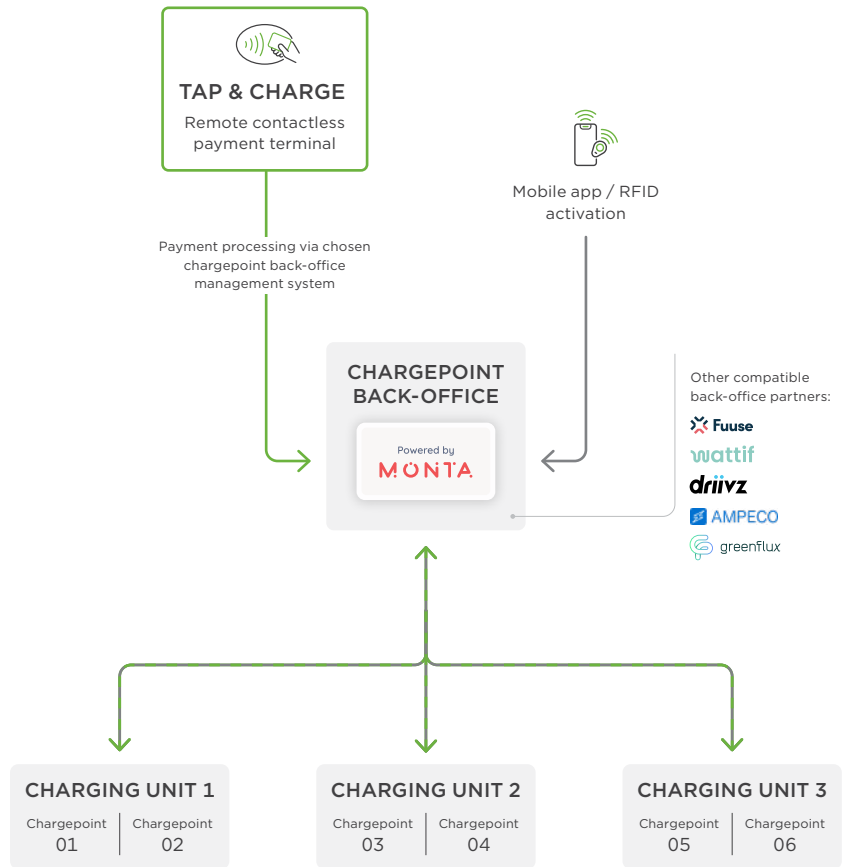
# How it works

The TAP & CHARGE contactless payment terminal offers an extra activation option for a group of EV chargepoints. It works seamlessly with ROLEC EV's OCPP compliant chargepoint range, operating independently while communicating with the chosen back-office management system where tariffs are configured by the operator.

Installation of TAP & CHARGE is straightforward within both new and existing chargepoint setups. Its 4G, Wi-Fi or Ethernet connectivity minimises groundworks, saving time and costs.

For EV drivers, initiating a charging session is remarkably simple, with just a tap.

1. Plug in vehicle to the chargepoint.
2. Go to the TAP & CHARGE payment terminal and select the parking bay / socket number.
3. The displayed charging tariff is set by the operator; tap your card or device to authorise payment.
4. Once payment is approved, charging starts within seconds.
5. To finish, unplug from the vehicle and then the charger. There is no need to return the TAP & CHARGE terminal.



## Terminal fees

TAP & CHARGE terminals are subject to Payter fees, which are paid directly to Payter:

One-time connection fee	<b>£12.50 per terminal</b> Up to a maximum of £187.50 per batch
Monthly service fee	<b>£7.00 per terminal/month</b> Starting from the date of activation
Optional SIM monthly charge	<b>£4.00 per active SIM per month</b> This includes TMS connectivity, access to support services, firmware updates, the MyPayter reporting tool, and Payment Gateway Transactions

Typical EV charging parking scenario

The pricing displayed above applies exclusively to Monta-managed chargepoints. Prices may vary if a different back-office provider is used.

# Specifications

## Technical Data:

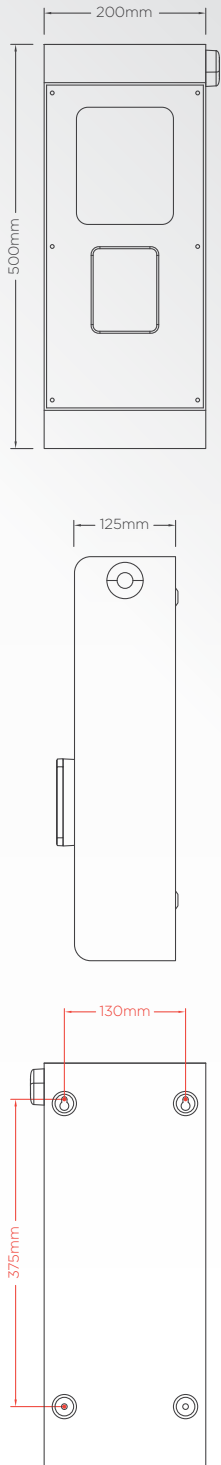
<b>Product Code</b>	ROLEC5000
<b>User Interface</b>	<ul style="list-style-type: none"> <li>• EMVCo. L1 v3.0 Certified</li> <li>• ISO14443 Type A &amp; B (T=CL)</li> <li>• Mifare Classic protocol</li> <li>• Desfire protocol</li> <li>• ISO18092: Support NFC protocol</li> </ul>
<b>Built-in Protection</b>	<ul style="list-style-type: none"> <li>• Surge protection</li> </ul>
<b>Power Supply</b>	<ul style="list-style-type: none"> <li>• 230V AC (±10 %) 50/60Hz</li> </ul>
<b>Cable Terminals</b>	<ul style="list-style-type: none"> <li>• Single Phase - 3x 50mm 1P + N + E</li> </ul>
<b>Communications</b>	<ul style="list-style-type: none"> <li>• Ethernet RJ45 (100BASE-TX, 10base-10) network connection</li> <li>• Wi-Fi IEEE802.11 b/g/n W-LAN</li> <li>• 4G GSM/GPRS/LTE CAT 1 Modem (built-in SIM, subscription required)</li> <li>• GNSS, (GPS) support with modem</li> <li>• NFC</li> <li>• Bluetooth</li> <li>• Cyber security - Data encryption level TLS 1.2</li> </ul>
<b>Card Reading Distance</b>	Depending on the device/card/fob, up to 10cm from reader
<b>Dimensions</b>	200mm x 500mm x 155mm (W x H x D)
<b>Weight</b>	< 13kg
<b>Environmental</b>	<ul style="list-style-type: none"> <li>• Ingress protection - Enclosure IP54 / Terminal IP65</li> <li>• Impact protection - Enclosure IK10 / Terminal IK09</li> <li>• Operating temperature - -20°C to 55°C</li> <li>• Storage Temperature - -20°C to 70°C</li> <li>• Humidity - 10% to 90% RH Non-condensing</li> </ul>
<b>Materials</b>	<ul style="list-style-type: none"> <li>• Body - Heavy duty 1.5mm Steel applied with 45-55 microns of Zinc primer</li> <li>• Finish - Corrosion resistant, textured Polyester powder coating</li> </ul>
<b>Unit Colour</b>	 Black  Other colours available upon request
<b>Certifications &amp; Compliances</b>	<ul style="list-style-type: none"> <li>• Wiring Regulations - BS 7671:2018+A2:2022</li> <li>• Radio Equipment Directive (RED) 2014/53/EU</li> <li>• Low Voltage Directive 2014/35/EU, covering requirements of RED art. 3.1(a) EN 62368-1:2014/AC:2015, EN 60950-22:2006/AC:2008, EN 62311:2008</li> <li>• EMC Directive 2014/30/EU, covering requirements of RED art. 3.1(b) EN 301 489-1 V1.9.2, EN 301 489-3 V2.1.1, EN 301 489-17 V1.3.1, EN 301 489-19 V2.1.1, EN 301 489-52 v1.1.0</li> <li>• Radio Spectrum Matters, covering requirements of RED art. 3.2 EN 300 330 V2.1.1, EN 300 328 V2.2.2, EN 301 511 V12.5.1, EN 301 908-1 V13.1.1, EN 301 908-2 V13.1.1, EN 301 908-13 V13.1.1, EN 303 413 V1.1.1,</li> <li>• Environmental Protection - BS EN 60529:1992+A2:2013</li> <li>• Impact Rating - BS EN 62262:2002+A1:2021</li> <li>• RoHS - 2011/65/EU, SI 2012/3032</li> <li>• REACH - 1907/2006, REACH etc. (Amendment) Regulations 2021</li> <li>• Payter Payment Device - CE, FCC, RoHS, WEEE, REACH, EMVCo, PCI-PTS 6.x, TQM, MasterCard, VISA, American Express, Discover, Diners</li> <li>• Certification Markings - CE &amp; UKCA</li> </ul>
<b>Warranty</b>	3 years



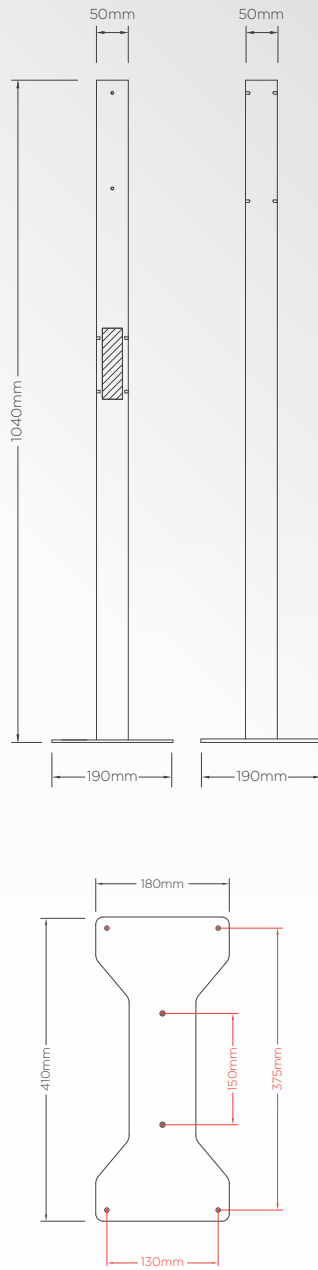
# Specifications

## Unit Dimensions:

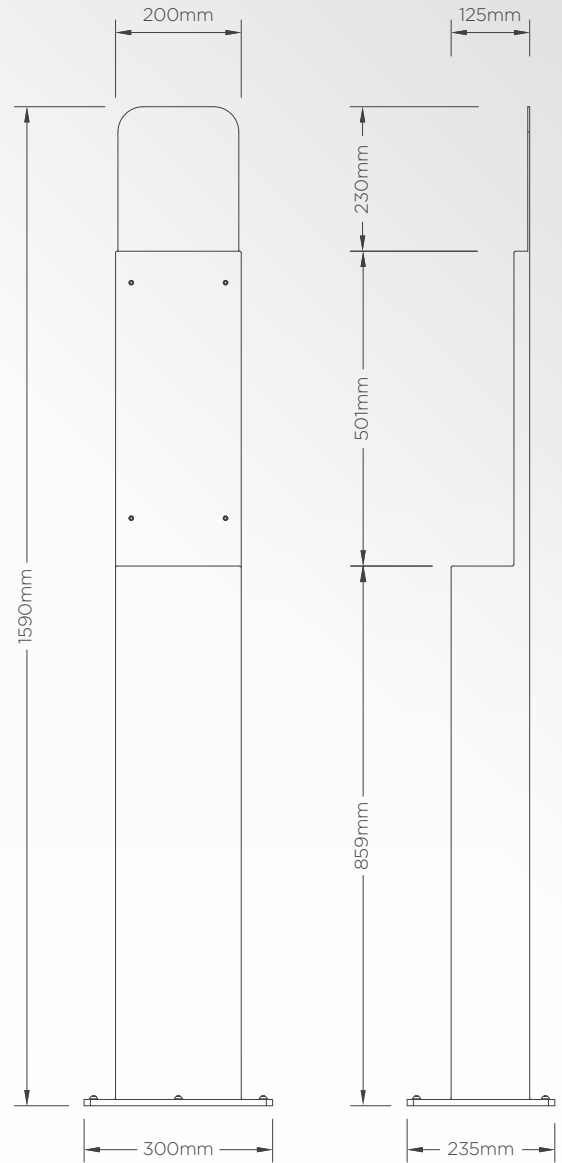
Tap & Charge unit:



Mounting post:



Premium mounting pedestal stand:



# Options & accessories

Product Code	Item Description
EVFP0100	Mounting post
EVFP0110	Premium mounting pedestal
EVCB0020	Root mount protection barrier - 48mm
EVCB0040	Surface mount protection barrier - 48mm



EVCB0020



EVCB0040



EVFP0100

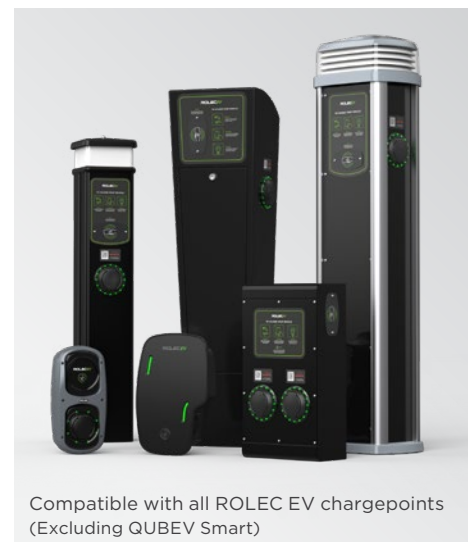


EVFP0110



**Branding & colour options available**

Rolec offer a bespoke chargepoint branding service; from logos & brand colours, to vinyl wraps. This can be arranged at time of order. Contact Rolec for details.



Compatible with all ROLEC EV chargepoints (Excluding QUBEV Smart)

Brand names, logos and trademarks used herein remain the property of their respective owners. This listing of any firm or their logos is not intended to imply any endorsement or direct affiliation with Rolec Services Ltd. and is purely to demonstrate branding opportunities.



THIS DOCUMENT CONTAINS INFORMATION THAT IS SUBJECT TO CHANGE WITHOUT NOTICE.

The latest version of this publication can be downloaded at <https://www.rolecserv.com/downloads-ev-charging>

Illustrations of the product and user interface are for marketing purposes only.

Brand names, logos and trademarks used herein remain the property of their respective owners. This listing of any firm or their logos is not intended to imply any endorsement or direct affiliation with Rolec Services Ltd. and is purely to demonstrate branding opportunities.

© 2024 by Rolec Services Ltd. All rights reserved.

EVTCD-V01-R2 Tap & Charge Data Sheet



Manufactured  
in the UK

**ROLECEV**

t: 01205 724754

e: [enquiries@rolecserv.co.uk](mailto:enquiries@rolecserv.co.uk)

[www.rolecserv.com](http://www.rolecserv.com)

