

WALLPOD:EV

HOMESMART EV

Universal Socket
3.6kW or 7.2kW

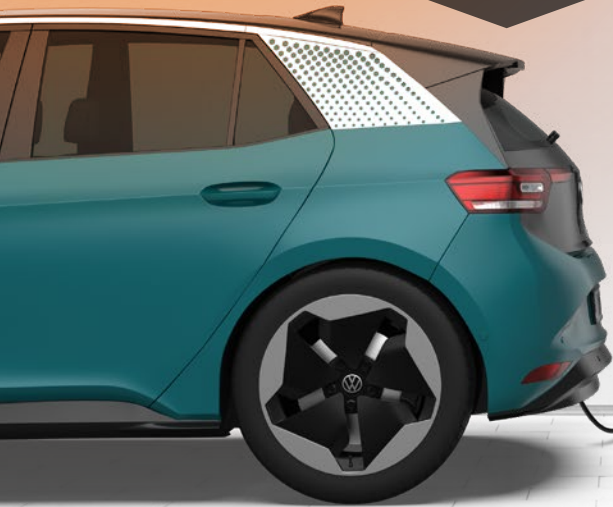
ROLEC
EV Charging

MANUFACTURED IN THE UK



In partnership with

ev.energy



Unit shown: WALLPOD:EV
HOMESMART EV
Universal Socket

The WALLPOD:EV HOMESMART facelift has been designed to provide an easy charging experience for EV drivers, allowing them to recharge their vehicle using their smartphone.

EV drivers can completely control their charging behaviour using their smartphone, whilst also having the ability to monitor their consumption data.

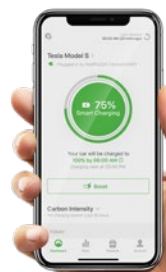
The WALLPOD:EV HOMESMART is complete with built-in TruePEN PME fault detection, eliminating the requirement for earth electrode/rods. This charging unit is also integrated with dynamic electrical load balancing which adjusts the rate of charge to prevent overloading the home's electrical supply.

PRODUCT FEATURES

- Smart charging (see smart features)
- Mode 3 (IEC 61851-1) fast charging
- Universal charging socket
- 3.6kW (16A) & 7.2kW (32A) charging speeds
- **Built-in TruePEN PME fault detection, no earth electrode/rod required**
- **Dynamic load balancing** - automatically protects the house fuse (Locally configurable to suit house supply, CT clamp & 5m cable included)
- Built-in DC sensitive protective device
- Built-in LED charging status indicator halo
- Built-in Class 1 MID compliant kWh meter
- Built-in Modem and roaming sim
- Built-in GPRS communication antenna
- IP Rated & UV Stabilised
- Corrosion resistant, fire retardant & IK10 impact resistant design

SMART FEATURES

- Live Charging Activity**
 - Charging status
 - Stop / start charging
 - Smart & boost charging
 - Charging notifications
- Charging History**
 - Total energy used
 - Historical data
 - CO₂ savings
- Advanced Settings**
 - Tariff optimisation
 - Green charging
 - Grid services
 - Fleet management



See the HOMESMART EV Overview for details



Grant Fundable



GPRS Connectivity



Mobile App Controlled SMART Charging



Dynamic Load Balancing




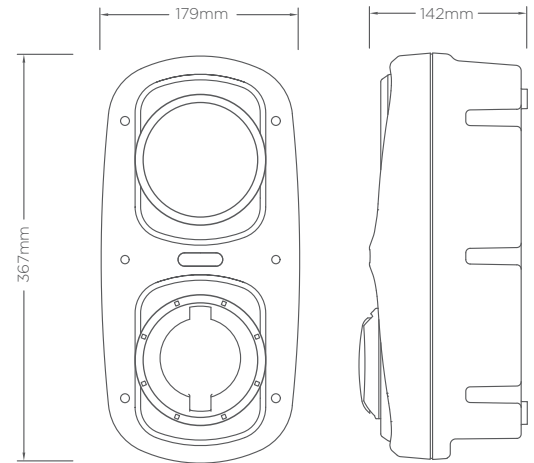
No Earth Rod Required



IP Rated & UV Stabilised

SPECIFICATIONS

Product Code	EVHS4010G	EVHS4020G
Charging Socket	Type 2 (IEC 62196) 	
AC Charging Output	3.6kW (16A)	7.2kW (32A)
Charge Protocol	Mode 3	
AC Overload & Fault Protection	A dedicated 30mA Type A RCBO or equivalent protection is required at source (see options below)	
DC Fault Protection	Built-in 6mA DC Sensitive Device	
Earthing	Built-in TruePEN PME Fault Detection	
Input Supply	16A 230V AC/50Hz (Single Phase)	32A 230V AC/50Hz (Single Phase)
Cable Terminals	3x 16mm	
Communications	GPRS (Recommended signal strength of 14 CSQ or above)	
Standby Consumption	<5W	
Certifications & Compliances	EV Charging Compliance – EN 61851-1:2019, EN 61851-22:2002	
	Wiring Regulations – BS 7671:2018	
	EMC Compliance – EN 61000-6-3:2007+A1:2011, EN 61000-6-2:2005	
	Safety Compliance (LVD) – EN 62368-1:2014, 2014/35/EU	
	Communications – 2014/53/EU	
	Environmental Protection – Enclosure IP65, Socket IP54 (BS EN 60529:1992+A2:2013), Enclosure IK10 (EN 60068-2-75:2014)	
	Contactor – IEC 60947-4-1:2018, IEC 61095:2009	
UK CA CE	Metering – 2014/32/EU	
	RoHS – 2011/65/EU	
	REACH – 1907/2006	
Dimensions	179mm x 367mm x 142mm (W x H x D)	
Unit Material	Polycarbonate (303 EP-22)	
Operating Temperature	-30°C to +50°C	
Unit Colour	Grey (White & Black also available)	



TruePEN Safer by design

- Automatically monitors the supply voltage on both 230V & 240V supplies without the need for any manual dipswitch settings.
- Within 5 seconds in the event of an under-voltage of less than 207V or an over-voltage of more than 253V Live, Neutral & Earth will be isolated.
- Following an under-voltage isolation, TruePEN will automatically reset when normal operating range is restored.
- Following an over-voltage isolation, on the grounds of safety, TruePEN will require a manual reset.

See the TruePEN Overview for details

HOMESMART EV

- Built-in modem and GPRS signal antenna
- Built-in roaming Sim card connects directly to the strongest signal
- ev.energy Back Office management
- Smart charging control via the ev.energy smartphone app



OPTIONS & ACCESSORIES

- Corporate branding (colours, logo badge, etc)
- Ground mounting post
- EV charging cables (Type 1 to Type 2 or Type 2 to Type 2)
- High gain, remote or unit mounted GPRS signal antenna
- EV consumer units:

EVIN0010	20A Single Phase EV Consumer Unit with Type A RCBO
EVIN0015	40A Single Phase EV Consumer Unit with Type A RCBO



Images are for marketing purposes only and are not contractual © 2022



Head office contact:
t: +44 (0) 1205 724754
f: +44 (0) 1205 724876
enquiries@rolec.co.uk

Rolec Services Ltd
Ralphs Lane, Frampton West
Boston, Lincolnshire
UK. PE20 1QU



www.rolec.co.uk

EVWPHSTPSD-V02-R0 WallPod EV HomeSmart TruePEN Socketed - Data Sheet